

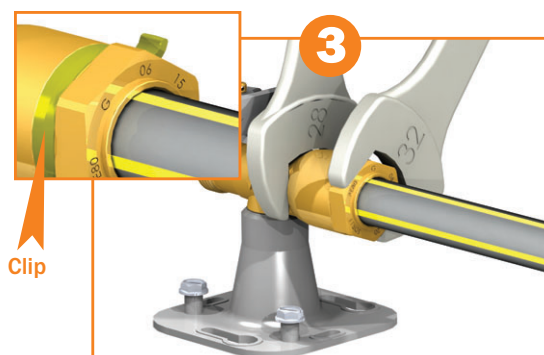
Connecting with PE CLIP in 4 steps

Example of installation on a meter isolation valve

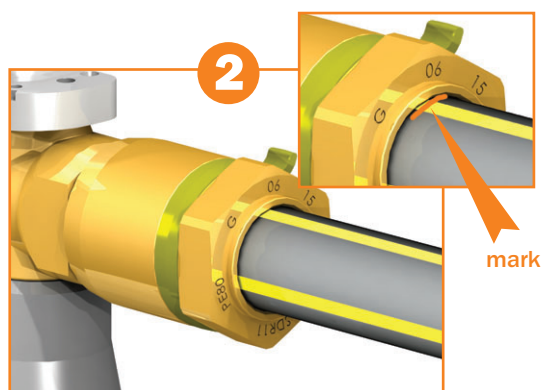
NO TORQUE WRENCH REQUIRED



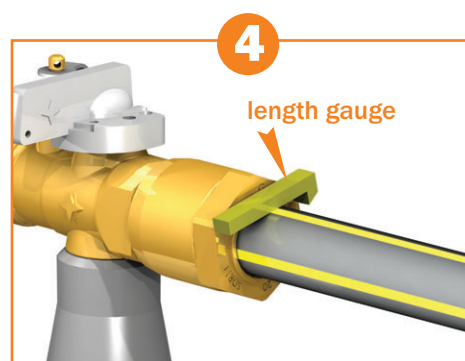
Break off the **removable length gauge** and use it to mark up the length of pipe to be inserted in the fitting (the pipe end must be perpendicular and free from abrasions, burrs, scratches etc.)



Remove the **clip** and after securing the valve tighten until reaching the positive end stop.



Insert the tube into the fitting pushing up to the **mark** made in step 1.



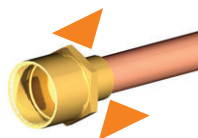
Check, using the **length gauge**, that the pipe is perpendicular to the fitting and placed according to the mark.

For braised fittings



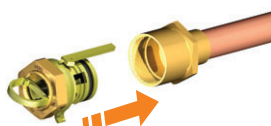
A

Remove the nut and clip
Note: all parts are held in place by the clip



B

Braise the fitting to the steel or copper pipe.



C

Reinsert the nut and clip into the fitting, tightening by hand.



D

Remove and discard the clip.



E

Connect the Pe tube, following steps 1 to 4 above.



le GAZ en toute sécurité

www.chuchu-decayeux.com

CHUCHU DECAYEUX - BP 80002 - 80520 WOINCOURT - FRANCE - Tel. : +33 322 207 525 / Fax : +33 322 303 765 - export@chuchu-decayeux.fr

COMPANY CERTIFIED ISO 9001